

Charmate®

Cast Stone Fire Pit

Model No. CM140-046



FOR OUTDOOR USE ONLY



DO NOT OPERATE THIS APPLIANCE BEFORE READING THE INSTRUCTION BOOKLET
DO NOT PLACE ARTICLES ON OR AGAINST THIS APPLIANCE
DO NOT STORE CHEMICALS OR FLAMMABLE MATERIALS OR SPRAY AEROSOLS NEAR THIS APPLIANCE
DO NOT OPERATE THE APPLIANCE INDOORS
DO NOT OPERATE IN AN ENCLOSED AREA
ACCESSIBLE PARTS MAY BE VERY HOT. KEEP YOUNG CHILDREN AWAY.

Minimum clearances from combustible materials: 3 metres

Retain these instructions for future use.

Important: The installer or seller must leave these instructions with the consumer.

IMPORTANT SAFETY WARNINGS



**READ ALL SAFETY WARNINGS AND INSTRUCTIONS CAREFULLY
BEFORE ASSEMBLING AND OPERATING YOUR FIRE PIT.**

WARNING

- Only use this Fire Pit on a hard, level, non-combustible, stable surface (concrete, ground etc.) capable of supporting the weight of the Fire Pit. Never use on wooden or other surfaces that could burn.
- Proper clearance of 3m between the Fire Pit and combustible material (bushes, trees, wooden decks, fences, buildings, etc.) or construction should be maintained at all times when Fire Pit is in use. Do not place Fire Pit under a roof overhang or other enclosed area. Not adhering to these clearances will prevent proper ventilation and may increase the risk of a fire and/or property damage, which could also result in personal injury.
- For outdoor use only. Do not operate Fire Pit indoors or in an enclosed area.
- For household use only. Do not use this Fire Pit for other than its intended purpose.
- Do not use gasoline, kerosene or alcohol for lighting the Fire Pit. Use of any of these or similar products could cause an explosion possibly leading to severe bodily injury.
- Place Fire Pit in an area where children and pets cannot come into contact with unit. Close supervision is necessary when Fire Pit is in use.
- Do not leave Fire Pit unattended when in use.
- Do not store or use Fire Pit near gasoline or other flammable liquids, gases or where flammable vapors may be present.
- Use caution when assembling and operating your Fire Pit to avoid scrapes or cuts from sharp edges of metal parts. Use caution when reaching into or under Fire Pit.
- In windy weather, place Fire Pit in an outdoor area that is protected from the wind.
- Never take out the grill while in use, or until embers are completely extinguished.
- Only remove the cover with fire tool while in use.
- Never leave ashes in Fire Pit unattended. Before Fire Pit can be left unattended, remaining ashes must be removed from Fire Pit. Use caution to protect yourself and property. Carefully place remaining ashes in a non-combustible metal container and saturate completely with water. Allow ashes and water to remain in metal container 24 hours prior to disposing.
- Extinguished ashes should be placed a safe distance from all structures and combustible materials.
- With a garden hose, completely wet the surface beneath and around Fire Pit to extinguish any ashes which may have fallen during use.
- After each use, clean the Fire Pit thoroughly. Do not allow the Fire Pit to fill with rain water. Cover the Fire Pit to protect it from the elements.
- Use caution when lifting or moving Fire Pit to prevent strains and back injuries.
- We advise that a fire extinguisher be on hand. Refer to your local authority to determine proper size and type of fire extinguisher.
- Store the Fire Pit out of reach of children and in a dry location when not in use.
- Although frost resistant, we strongly recommend storing your Fire Pit inside during winter.
- Properly dispose of all packaging material.
- Only use dry wood so you can achieve maximum warmth from your Fire Pit. Green wood will lead to a smoky cold fire.
- Do not stack over-sized pieces of wood in the Fire Pit. Do not load Fire Pit above the solid base area of the Fire Pit. It is not a furnace and roaring fires are not recommended.
- Do not burn treated or painted wood as this may release toxins harmful to you and the environment.

USE CAUTION AND COMMON SENSE WHEN OPERATING YOUR FIRE PIT.

**FAILURE TO ADHERE TO SAFETY WARNING AND GUIDELINES IN THIS MANUAL COULD
RESULT IN BODILY INJURY OR PROPERTY DAMAGE.**

SAVE THIS MANUAL FOR FUTURE REFERENCE.

Assembly Instructions

For Easiest Assembly:

- To avoid losing any small components or hardware, assemble your product on a hard level surface that does not have cracks or openings. You may wish to lay down a blanket or similar, to avoid possible damage to the finish during assembly.
- Clear an area large enough to layout all components and hardware.
- Great care has been taken during production to remove sharp edges but you should handle all components with care to avoid injury.
- Check you have all components before beginning.

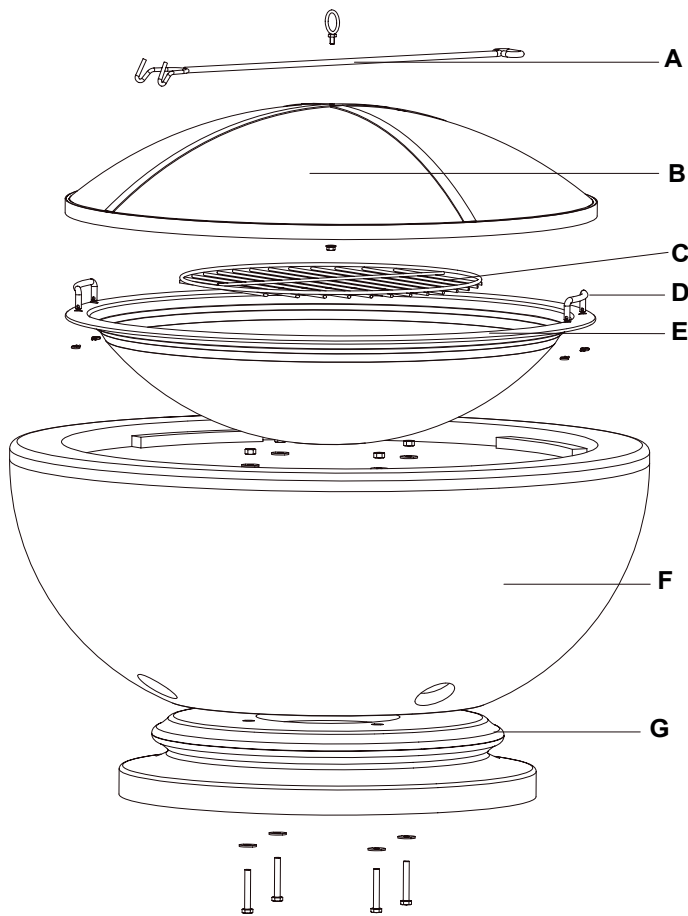
- When applicable, tighten all hardware connections by hand first. Once the step is completed go back and fully tighten all hardware.
- Follow all steps in order to properly assemble your product.

Typical assembly: approximately ½ hour.

Tools required:

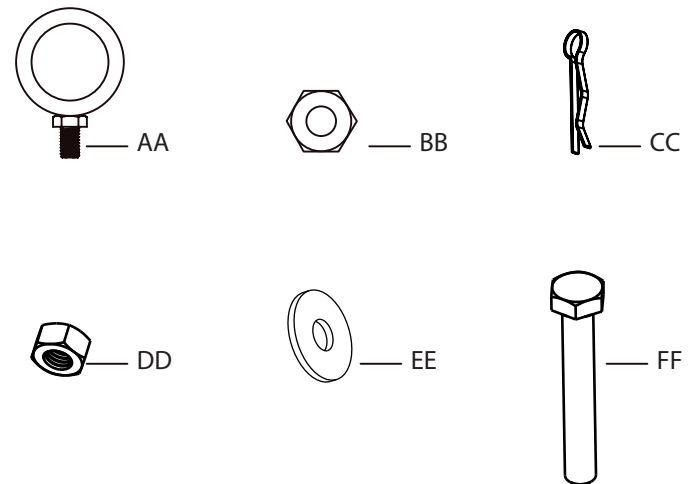
- Adjustable Spanner or Socket Wrench
- Phillips Screwdriver

Exploded View



Part	Description	Qty
A	Hook	1
B	Screen	1
C	Grill	1
D	Fire Bowl Handle	2
E	Fire Bowl	1
F	Stone Bowl	1
G	Stone Base	1

Hardware

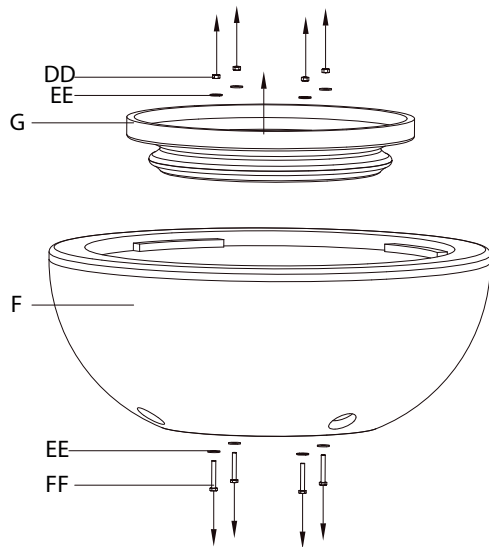


Part	Description	Qty
AA	Ring Bolt	1
BB	M6 Nut	1
CC	R Pin	4
DD	M8 Nut	4
EE	Washer	8
FF	M8×55 Bolt	4

Assembly Instructions

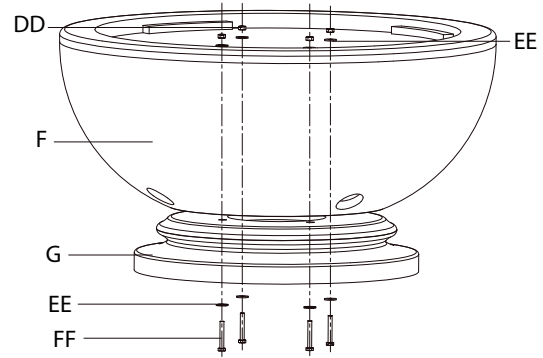
1. Disassembling the Stone Base

Disassemble the stone base (G) from the stone bowl (F) by removing the pre-installed 4 M8x55 bolts (FF), 4 M8 nuts (DD) and 8 washers (EE).



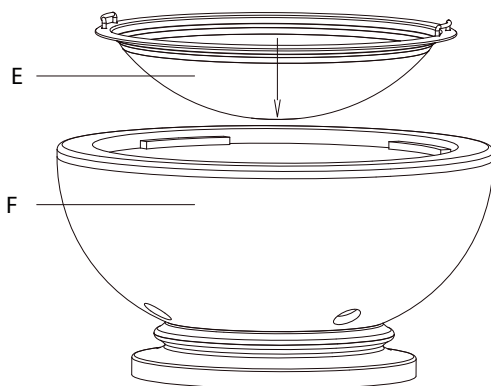
2. Installing the Stone Bowl and Stone Base

Place the stone bowl (F) on the stone base (G) and secure them with 4 M8x55 bolts (FF), 4 M8 nuts (DD) and 8 washers (EE).



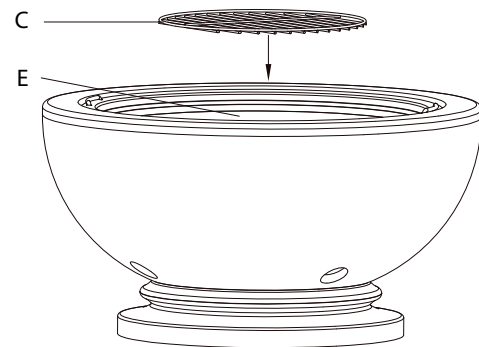
3. Installing the Fire Bowl

Place the fire bowl (E) onto the stone bowl (F).



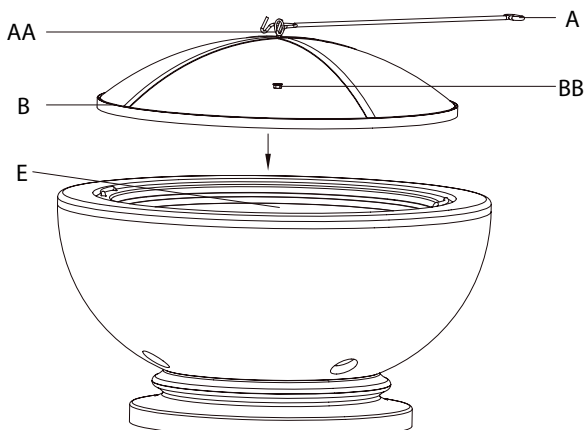
4. Installing the Charcoal Grid

Place the charcoal grid (C) into the fire bowl (E).



5. Installing the Screen

Attach the ring bolt (AA) to the screen (B) with 1 M6 nut (BB), and then place the screen (B) and hook (A) onto the fire bowl (E) in order as the illustration shows.



Operating Instructions

This Fire Pit is designed for use only with wood.

Before first use make sure all labels, packaging and protective films have been removed from the Fire Pit.

Lighting

The secret to lighting the Fire Pit successfully is good preparation of the fire and using dry fuel.

1. Begin with a base of single sheets of dry newspaper formed into fist sized balls. Place these into the base of the Fire Pit on top of charcoal grid.
2. Get dry kindling about matchstick thickness. It is important they are dry - manuka twigs are ideal. Place this kindling on top of the newspaper taking care not to crush the paper down as this will reduce the air gap and starve the fire of oxygen. To ensure successful lighting we recommend using Heat Beads™ Firelighters.
3. On top of the match stick thick kindling add two good handfuls of sticks about pencil thickness.
4. Finally have to hand a good supply of dry wood about thumb thickness. Keep this to one side for now.
5. Now place a match or lighter to the dry paper at the base of Fire Pit. You can light it in a couple of places. The volume of smoke and flame will increase as the paper catches the match stick thick twigs alight and in turn this lights the pencil thick twigs.
6. When the flames appear through the top of the pencil thick twigs then you can add the thumb thick wood with care, a few pieces at a time, to build up the fuel supply in the Fire Pit. Once a good ember bed is established thicker wood can be added.

Note: Split wood generally burns better than round wood. All wood should be dry. Burning green wood will lead to a smoky 'cold' fire. Do not burn plastic as it gives off harmful smoke for both you and the environment.

Extinguishing

- Allow fire to burn itself out and don't leave until the fire is fully extinguished.
- DO NOT use water to extinguish as this is dangerous and can cause damage to this outdoor Fire Pit.
- If you must leave before the fire burns itself out, smother the fire with a bucket of sand to extinguish. Check the fire is fully extinguished before leaving.

Cleaning and Care

CAUTION: All cleaning and maintenance should be done when Fire Pit is cool and with the fuel supply removed.

Check the Fire Pit regularly to ensure it is safe to use. If there is any sign of damage DO NOT use until repairs are made.

Abrasive cleaners will damage this product. Never use oven cleaner to clean any part of Fire Pit.

1. Wipe surfaces clean with mild dishwashing detergent or baking soda.
2. For stubborn surfaces use a citrus based degreaser and a nylon scrubbing brush.
3. Rinse clean with water.

When not in use store in a dry location, and if possible cover the Fire Pit to protect it from the elements.

It is quite normal for the Fire Pit to develop an aged look after several fires. Over time it may develop surface rust, which is normal and due to natural weathering, particularly if it is left outdoors uncovered.