

Charmate®

Modern Steel Fire Bowl

Model No. CM140-063



FOR OUTDOOR USE ONLY



DO NOT OPERATE THIS APPLIANCE BEFORE READING THE INSTRUCTION BOOKLET
DO NOT PLACE ARTICLES ON OR AGAINST THIS APPLIANCE
DO NOT STORE CHEMICALS OR FLAMMABLE MATERIALS OR SPRAY AEROSOLS NEAR THIS APPLIANCE
DO NOT OPERATE THE APPLIANCE INDOORS
DO NOT OPERATE IN AN ENCLOSED AREA
ACCESSIBLE PARTS MAY BE VERY HOT. KEEP YOUNG CHILDREN AWAY.

Minimum clearances from combustible materials: 3 metres

Retain these instructions for future use.

Important: The installer or seller must leave these instructions with the consumer.

IMPORTANT SAFETY WARNINGS



**READ ALL SAFETY WARNINGS AND INSTRUCTIONS CAREFULLY
BEFORE ASSEMBLING AND OPERATING YOUR FIRE BOWL.**

WARNING

- Only use this Fire Bowl on a hard, level, non-combustible, stable surface (concrete, ground etc.) capable of supporting the weight of the Fire Bowl. Never use on wooden or other surfaces that could burn.
- Proper clearance of 3m between the Fire Bowl and combustible material (bushes, trees, wooden decks, fences, buildings, etc.) or construction should be maintained at all times when Fire Bowl is in use. Do not place Fire Bowl under a roof overhang or other enclosed area. Not adhering to these clearances will prevent proper ventilation and may increase the risk of a fire and/or property damage, which could also result in personal injury.
- For outdoor use only. Do not operate Fire Bowl indoors or in an enclosed area.
- For household use only. Do not use this Fire Bowl for other than its intended purpose.
- Do not use gasoline, kerosene or alcohol for lighting the Fire Bowl. Use of any of these or similar products could cause an explosion possibly leading to severe bodily injury.
- Place Fire Bowl in an area where children and pets cannot come into contact with unit. Close supervision is necessary when Fire Bowl is in use.
- Do not leave Fire Bowl unattended when in use.
- Do not store or use Fire Bowl near gasoline or other flammable liquids, gases or where flammable vapors may be present.
- Use caution when assembling and operating your Fire Bowl to avoid scrapes or cuts from sharp edges of metal parts. Use caution when reaching into or under Fire Bowl.
- In windy weather, place Fire Bowl in an outdoor area that is protected from the wind.
- Never leave ashes in Fire Bowl unattended. Before Fire Bowl can be left unattended, remaining ashes must be removed from Fire Bowl. Use caution to protect yourself and property. Carefully place remaining ashes in a non-combustible metal container and saturate completely with water. Allow ashes and water to remain in metal container 24 hours prior to disposing.
- Extinguished ashes should be placed a safe distance from all structures and combustible materials.
- With a garden hose, completely wet the surface beneath and around Fire Bowl to extinguish any ashes which may have fallen during use.
- After each use, clean the Fire Bowl thoroughly. Do not allow the Fire Bowl to fill with rain water. Cover the Fire Bowl to protect it from the elements.
- Use caution when lifting or moving Fire Bowl to prevent strains and back injuries.
- We advise that a fire extinguisher be on hand. Refer to your local authority to determine proper size and type of fire extinguisher.
- Store the Fire Bowl out of reach of children and in a dry location when not in use.
- Although frost resistant, we strongly recommend storing your Fire Bowl inside during winter.
- Properly dispose of all packaging material.
- Only use dry wood so you can achieve maximum warmth from your Fire Bowl. Green wood will lead to a smoky cold fire.
- Do not stack over-sized pieces of wood in the Fire Bowl. Do not load Fire Bowl above the solid base area of the Fire Bowl. It is not a furnace and roaring fires are not recommended.
- Do not burn treated or painted wood as this may release toxins harmful to you and the environment.

USE CAUTION AND COMMON SENSE WHEN OPERATING YOUR FIRE BOWL.

**FAILURE TO ADHERE TO SAFETY WARNING AND GUIDELINES IN THIS MANUAL COULD
RESULT IN BODILY INJURY OR PROPERTY DAMAGE.**

SAVE THIS MANUAL FOR FUTURE REFERENCE.

Assembly Instructions

For Easiest Assembly:

- To avoid losing any small components or hardware, assemble your product on a hard level surface that does not have cracks or openings. You may wish to lay down a blanket or similar, to avoid possible damage to the finish during assembly.
- Clear an area large enough to layout all components and hardware.
- Great care has been taken during production to remove sharp edges but you should handle all components with care to avoid injury.
- Check you have all components before beginning.
- When applicable, tighten all hardware connections by hand first. Once the step is completed go back and fully tighten all hardware.
- Follow all steps in order to properly assemble your product.

Typical assembly: approximately ½ hour.

Tools required:

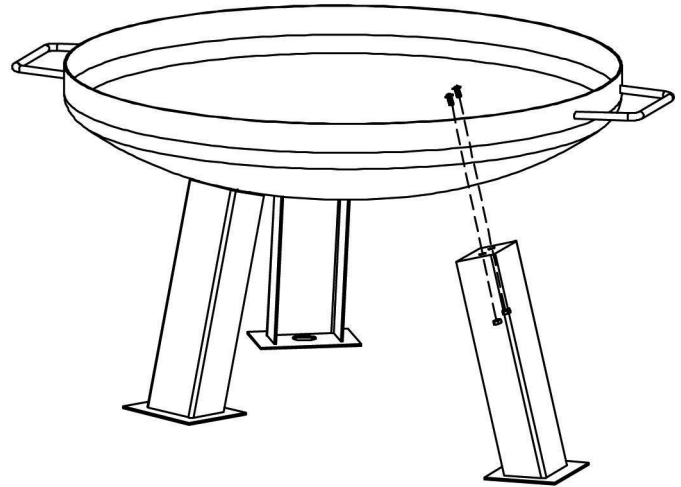
- Adjustable Spanner or Socket Wrench
- Phillips Screwdriver

Parts List

Item	Parts	Qty
1.	Fire Bowl	1
2.	Fire Bowl Legs	3
A.	Bolt	6
B.	Nut	6

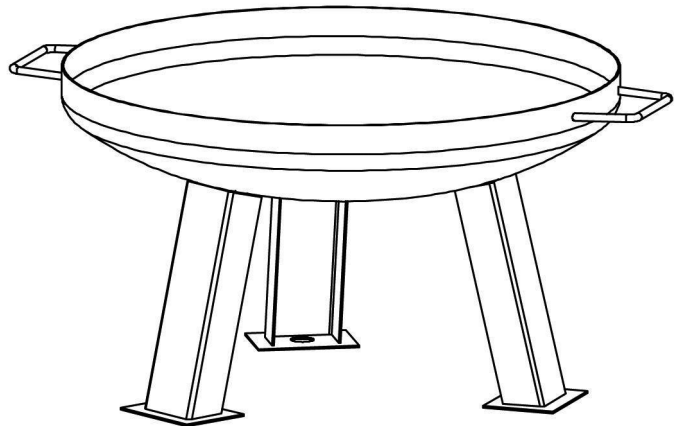
Step 1

Assemble Fire Bowl by inserting bolts through the holes in bowl and attach hand tight with nuts.



Step 2

Fasten all 3 Legs in the same manner, once all the Legs are attached place unit on a level surface and tighten with a Phillips screwdriver and a adjustable wrench.



Operating Instructions

This Fire Bowl is designed for use only with wood. Before first use make sure all labels, packaging and protective films have been removed from the Fire Bowl.

Lighting

The secret to lighting the Fire Bowl successfully is good preparation of the fire and using dry fuel.

1. Begin with a base of single sheets of dry newspaper formed into fist sized balls. Place these into the base of the Fire Bowl.
2. Get dry kindling about matchstick thickness. It is important they are dry - manuka twigs are ideal. Place this kindling on top of the newspaper taking care not to crush the paper down as this will reduce the air gap and starve the fire of oxygen.
3. On top of the match stick thick kindling add two good handfuls of sticks about pencil thickness.
4. Finally have to hand a good supply of dry wood about thumb thickness. Keep this to one side for now.
5. Now place a match or lighter to the dry paper at the base of Fire Bowl. You can light it in a couple of places. The volume of smoke and flame will increase as the paper catches the match stick thick twigs alight and in turn this lights the pencil thick twigs.
6. When the flames appear through the top of the loaded Fire Bowl fuel then you can add the thumb thick wood with care, a few pieces at a time, to build up the fuel supply in the Fire Bowl. Once a good ember bed is established thicker wood can be added.

Note: Split wood generally burns better than round wood. All wood should be dry. Burning green wood will lead to a smoky 'cold' fire. Do not burn plastic as it gives off harmful smoke for both you and the environment.

Extinguishing

- Allow fire to burn itself out and don't leave until the fire is fully extinguished.
- DO NOT use water to extinguish as this is dangerous and can cause damage to this outdoor Fire Bowl.
- If you must leave before the fire burns itself out, smother the fire with a bucket of sand to extinguish. Check the fire is fully extinguished before leaving.

Cleaning and Care

CAUTION: All cleaning and maintenance should be done when Fire Bowl is cool and with the fuel supply removed.

Check the Fire Bowl regularly to ensure it is safe to use. If there is any sign of damage DO NOT use until repairs are made.

Abrasive cleaners will damage this product. Never use oven cleaner to clean any part of Fire Bowl.

1. Wipe surfaces clean with mild dishwashing detergent or baking soda.
2. For stubborn surfaces use a citrus based degreaser and a nylon scrubbing brush.
3. Rinse clean with water.

When not in use store in a dry location, and if possible cover the Fire Bowl to protect it from the elements.

It is quite normal for the Fire Bowl to develop an aged look after several fires. Over time it may develop surface rust, which is normal and due to natural weathering, particularly if it is left outdoors uncovered.